

# WL28

## Articulated Wheel Loaders



**WACKER  
NEUSON**  
*all it takes!*



### Compact and powerful, easily moves a pallet of paving stones

Tight space conditions on the construction site, but nevertheless can still transport high loads – the ideal application for the WL28. Pallets with paving stones or other transport goods up to 1600 kg are easily mastered by the WL28 and, thanks to compact dimensions and a low passage height of less than 2.3 m, it can go almost anywhere. If the access to the work area is even narrower and lower, the WL28 is optionally also available with the manually or hydraulically lowerable operator's canopy (EPS).

- Powerful and flexible: Universally applicable machine thanks to very good performances with tipping load, lifting force and lift height.
- Easy to transport: Due to the low weight, the WL28 is suitable for transport via car trailer.
- Everything in view: The low front carriage allows for a very good view of the work area.
- Open service access to hydraulics, engine and air cleaner through fold-down driver's canopy – shortens the maintenance and therefore also downtimes.
- Powerful hydraulics with many options: Highflow allows for the operation of attachments such as snow blowers.



## WL28 Technical specifications

WL28

	Operator's canopy	Cabin*
<b>Engine / Motor</b>		
Engine / Motor manufacturer	Perkins	Perkins
Engine / Motor type	404 D-22	404 D-22
Cylinder	4	4
Engine performance kW	35.7	35.7
at rpm Maximum rpm	2,600	2,600
Displacement cm <sup>3</sup>	2,216	2,216
Coolant type	Water	Water
<b>Electrical system</b>		
Operating voltage V	12	12
Battery Ah	77	77
Alternator A	65	65
<b>Weights</b>		
Operating weight kg	3,050	3,120
Tipping load with bucket - machine straight kg	1,985	2,388
Tipping load with bucket - machine at angle kg	1,669	2,011
Tipping load with pallet fork - machine straight kg	1,656	1,981
Tipping load with pallet fork - machine at angle kg	1,392	1,677
<b>Vehicle data</b>		
Bucket capacity Standard bucket m <sup>3</sup>	0.42	0.42
Traction drive	Hydrostatic via universal joint shaft	Hydrostatic via universal joint shaft
Axles	PA940	PA940
Drivers cab (optional)	FSD (EPS, cabin)	Cabin
Speed (optional) km/h	0-20 (28)	0-20 (28)
Speed Level	2	2
Standard tires	12-16.5 EM ET0	305/70 R 16.5 ET0 Alliance Multi-use 550
<b>Hydraulic system</b>		
Driving hydraulics - operating pressure bar	450	450
Operating hydraulics - operating pressure bar	220	220
Operating hydraulics - discharge capacity l/min	49.4	49.4
Operating hydraulics - discharge capacity (optional up to) l/min	58.5	58.5
<b>Filling capacities</b>		
Fuel tank capacity l	50	50
Engine oil l	8	8
Hydraulic oil tank l	30	30
Coolant l	9	9

Operator's canopy

Cabin\*

**Sound level**

Guaranteed sound power level L <sub>wA</sub> dB(A)	101	101
Specified sound pressure level L <sub>pA</sub> dB(A)	82	82

Standard bucket = digging bucket, 1,350 mm width

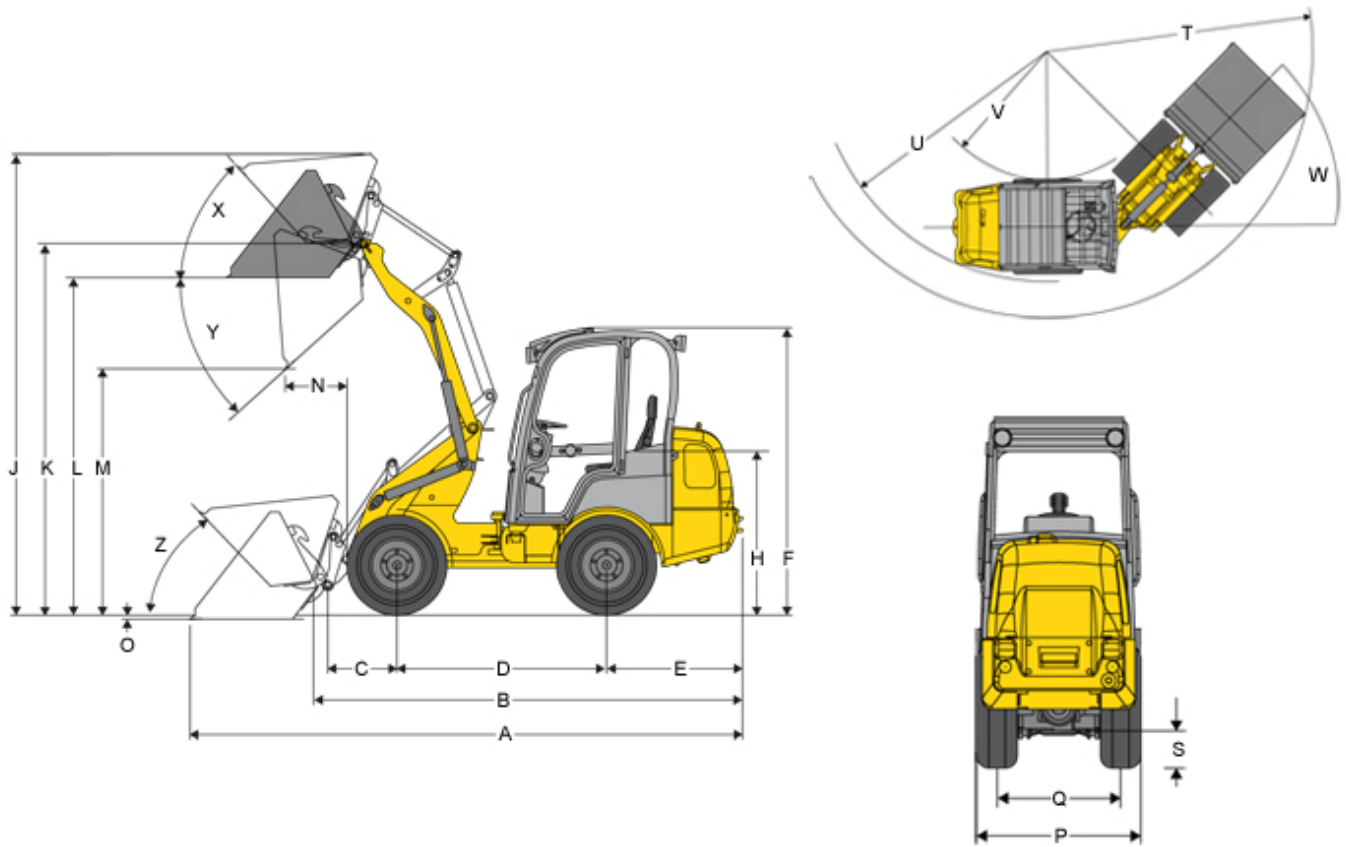
FSD = Operator's canopy

EPS = Easy Protection System (fold-down operator's canopy)

Tipping load calculation according to ISO 14397-EN474-3

\*Equipment version (cabin, counterweight floor plate 97 kg, tires 305/70 R 16.5 ET0 Alliance Multiuse 550)

## WL28 Dimensions



	Standard tires	12-16.5 EM ETO
A	Overall length	4,559 mm
B	Overall length without bucket	3,730 mm
C	Bucket pivot point to axle center	670 mm
D	Wheelbase	1,764 mm
E	Rear overhang	1,182 mm
F	Height With operator's canopy	2,287 mm
F	Height With fold-down operator's canopy (EPS)	2,387 mm
F	Height With fold-down operator's canopy (EPS), folded-down	1,870 mm
F	Height With cabin	2,297 mm
H	Seat height	1,255 mm
J	Total operating height	3,212 mm
K	Stroke height max. - bucket pivot point	2,560 mm
L	Overhead loading height	2,241 mm
M	Dump height max.	1,700 mm
N	Range with M	519 mm
O	Scraping depth	132 mm
P	Overall width	1,245 mm
Q	Track width	940 mm

S	Ground clearance	271 mm
T	Radius maximum	3,215 mm
U	Radius at outer edge	2,845 mm
V	Inside turning radius	1,554 mm
W	Articulation angle	44 °
X	Bucket rollback at max. stroke height	47 °
Y	Dump angle max.	41 °
Z	Bucket rollback at ground level	50 °

All values with standard bucket: Digging bucket 1,350 mm, 0.42 m<sup>3</sup> and standard tires: 12-16.5 EM ETO

Please note: that product availability can vary from country to country. It is possible that information / products may not be available in your country. More detailed information on engine power can be found in the operator's manual; the stated power may vary due to specific operating conditions. Subject to alterations and errors excepted. Applicable also to illustrations.  
Copyright © 2019 Wacker Neuson SE.