

# WL32

## Articulated Wheel Loaders



**WACKER  
NEUSON**  
*all it takes!*



### The powerful little guy

Thanks to its narrow machine width, the wheel loader WL32 provides first-class work results, above all in confined spaces. Its low passage height also makes it the ideal supplier of material in structural works or buildings. It is therefore very powerful on the go with up to 100 liters of hydraulic performance and is ideal for the use of additional attachments.

- Compact dimensions with a passage height of less than 2.5 meters
- Powerful hydraulic performance with up to 100 liters
- Low turning radius
- Hydrostatic all-wheel drive and articulated pendulum steering
- Large selection of attachments

## WL32 Technical specifications

WL32

	Operator's canopy	Cabin*
<b>Engine / Motor</b>		
Engine / Motor manufacturer	Perkins	Perkins
Engine / Motor type	404 D-22	404 D-22
Cylinder	4	4
Engine performance kW	36.3	36.3
at rpm Maximum rpm	2,800	2,800
Displacement cm <sup>3</sup>	2,216	2,216
Coolant type	Water	Water
<b>Electrical system</b>		
Operating voltage V	12	12
Battery Ah	95	95
Alternator A	85	85
<b>Weights</b>		
Operating weight kg	3,400	3,400
Tipping load with bucket - machine straight kg	2,032	2,269
Tipping load with bucket - machine at angle kg	1,692	1,898
Tipping load with pallet fork - machine straight kg	1,731	1,908
Tipping load with pallet fork - machine at angle kg	1,459	1,605
<b>Vehicle data</b>		
Bucket capacity Standard bucket m <sup>3</sup>	0.45	0.45
Traction drive	Hydrostatic via universal joint shaft	Hydrostatic via universal joint shaft
Axles	PA940	PA940
Drivers cab	FSD (cabin)	Cabin
Speed (optional) km/h	0-20 (28)	0-20 (28)
Speed Level	2	2
Standard tires	31 x 15.5-15 EM ET-37	31 x 15.5-15 EM ET-37
<b>Hydraulic system</b>		
Driving hydraulics - operating pressure bar	450	450
Operating hydraulics - operating pressure bar	210	210
Operating hydraulics - discharge capacity l/min	56	56
Operating hydraulics - discharge capacity (optional up to) l/min	100	100
<b>Filling capacities</b>		
Fuel tank capacity l	65	65
Hydraulic oil tank l	35	35
<b>Sound level</b>		
Guaranteed sound power level L <sub>WA</sub> dB(A)	101	101

	Operator's canopy	Cabin*
Specified sound pressure level LpA dB(A)	82	82

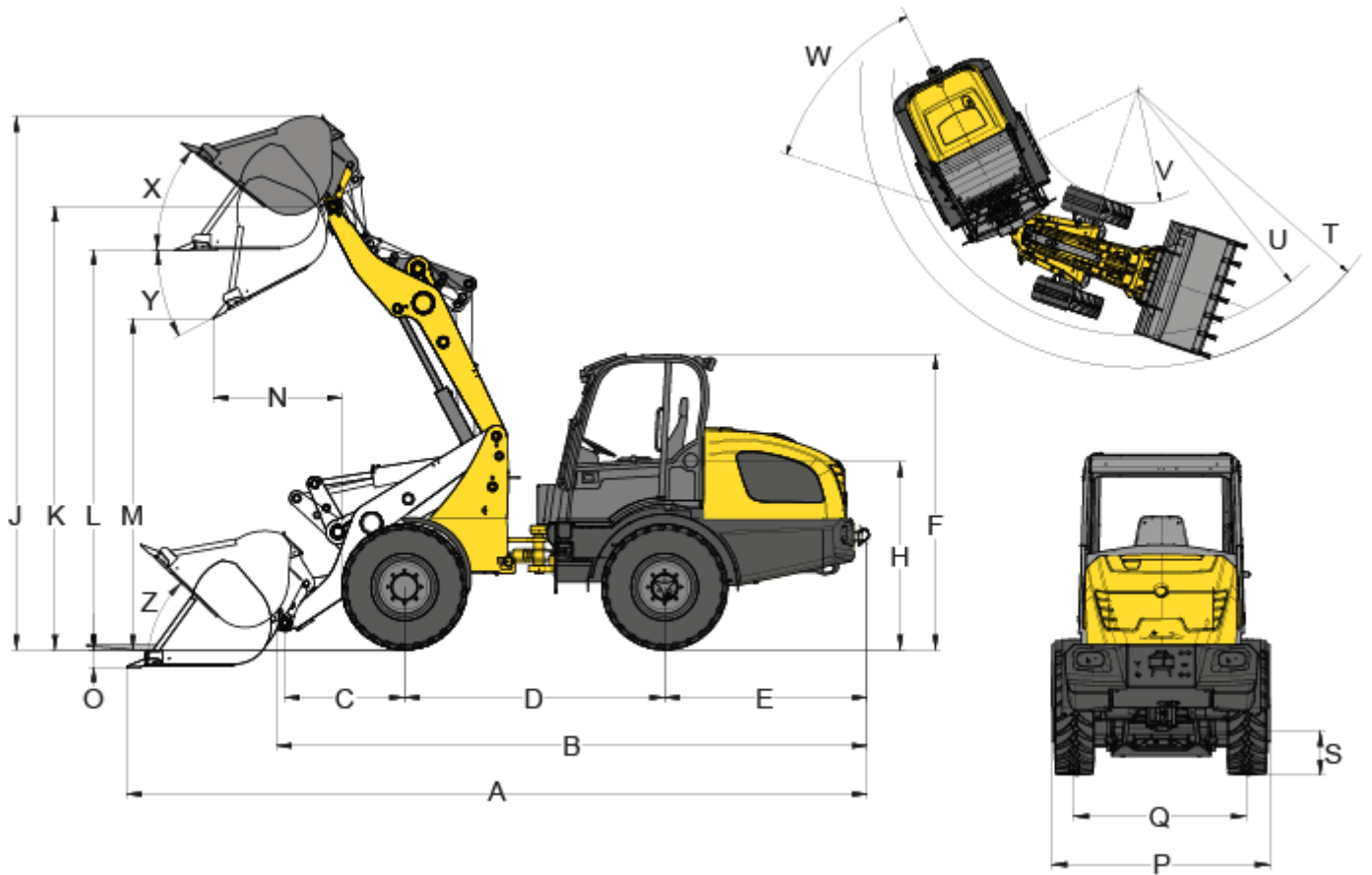
Standard bucket = digging bucket, 1,400 mm width

FSD = Operator's canopy

Tipping load calculation according to ISO 14397-EN474-3

\* Equipping version (cabin)

## WL32 Dimensions



	Standard tires	31x15.50-15 EM ET-37
A	Overall length	4,755 mm
B	Overall length without bucket	4,022 mm
C	Bucket pivot point to axle center	675 mm
D	Wheelbase	1,952 mm
E	Rear overhang	1,290 mm
F	Height With operator's canopy	2,351 mm
F	Height With cabin	2,351 mm
H	Seat height	1,354 mm
J	Total operating height	3,715 mm
K	Stroke height max. - bucket pivot point	3,208 mm
L	Overhead loading height	2,954 mm
M	Dump height max.	2,425 mm
N	Range with M	252 mm
O	Scraping depth	50 mm
P	Overall width	1,414 mm
Q	Track width	1,014 mm
S	Ground clearance	275 mm
T	Radius maximum	3,534 mm
U	Radius at outer edge	3,171 mm

V	Inside turning radius	1,731 mm
W	Articulation angle	45 °
X	Bucket rollback at max. stroke height	56 °
Y	Dump angle Maximum	37 °
Z	Bucket rollback at ground level	46 °

All values with standard bucket: Digging bucket 1,400 mm, 0.45 m<sup>3</sup> and standard tires: 31x15.50-15 EM ET-37

Please note: that product availability can vary from country to country. It is possible that information / products may not be available in your country. More detailed information on engine power can be found in the operator's manual; the stated power may vary due to specific operating conditions. Subject to alterations and errors excepted. Applicable also to illustrations.  
Copyright © 2019 Wacker Neuson SE.